

(19) World Intellectual Property Organization
International Bureau



(43) International Publication Date
31 May 2001 (31.05.2001)

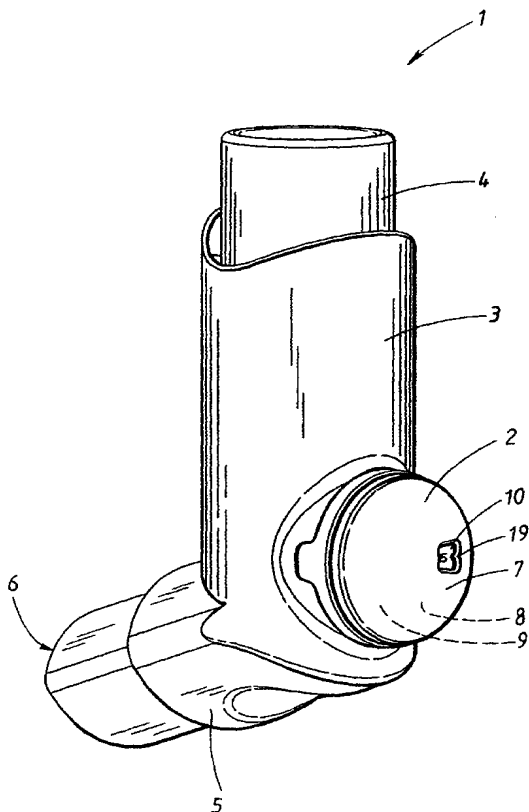
PCT

(10) International Publication Number
WO 01/37909 A1

- (51) International Patent Classification⁷: A61M 11/00, 15/00, G06M 1/00
- (21) International Application Number: PCT/SE00/02319
- (22) International Filing Date:
24 November 2000 (24.11.2000)
- (25) Filing Language: Swedish
- (26) Publication Language: English
- (30) Priority Data:
9904278-0 26 November 1999 (26.11.1999) SE
- (71) Applicant (for all designated States except US): ERNST HÖRLINS INGENJÖRSBYRÅ AB [SE/SE]; Svartmossevägen 2, S-436 39 Askim (SE).
- (72) Inventor; and
(75) Inventor/Applicant (for US only): HÖRLIN, Ernst [SE/SE]; Svartmossevägen 2, S-436 39 Askim (SE).
- (74) Agents: ANDERSSON, Per et al.; Albihns Göteborg AB, P.O. Box 142, S-401 22 Göteborg (SE).
- (81) Designated States (national): AE, AG, AL, AM, AT, AU, AZ, BA, BB, BG, BR, BY, BZ, CA, CH, CN, CR, CU, CZ, DE, DK, DM, DZ, EE, ES, FI, GB, GD, GE, GH, GM, HR, HU, ID, IL, IN, IS, JP, KE, KG, KP, KR, KZ, LC, LK, LR, LS, LT, LU, LV, MA, MD, MG, MK, MN, MW, MX, MZ, NO, NZ, PL, PT, RO, RU, SD, SE, SG, SI, SK, SL, TJ, TM, TR, TT, TZ, UA, UG, US, UZ, VN, YU, ZA, ZW.
- (84) Designated States (regional): ARIPO patent (GH, GM, KE, LS, MW, MZ, SD, SL, SZ, TZ, UG, ZW), Eurasian patent (AM, AZ, BY, KG, KZ, MD, RU, TJ, TM), European patent (AT, BE, CH, CY, DE, DK, ES, FI, FR, GB, GR, IE, IT, LU, MC, NL, PT, SE, TR), OAPI patent (BF, BJ, CF, CG, CI, CM, GA, GN, GW, ML, MR, NE, SN, TD, TG).

[Continued on next page]

(54) Title: COUNTING MECHANISM, AND SPRAY DOSE INHALER WITH SAID COUNTING MECHANISM



(57) Abstract: The invention relates to a counting mechanism (2) for counting the number of spray doses, for example in combination with spray dose inhalers. A counting mechanism according to the invention comprises a cap (7), a counting wheel (8), and a control wheel (9), all of which have a substantially circular shape, are concentric in relation to each other and, upon each spraying, are acted upon via a rod-shaped pin (32), which is arranged at right angles to the inner surface of the control wheel (9) and is connected to the control wheel (9) via a spring member (33), such that a dosing step is counted by the counting mechanism (2). The counting mechanism (2) has a minimal effect on the spray flow and on the dose size of the sprayed substance since only the rod-shaped pin (32) is introduced into the spray channel.



WO 01/37909 A1



Published:

— With international search report.

For two-letter codes and other abbreviations, refer to the "Guidance Notes on Codes and Abbreviations" appearing at the beginning of each regular issue of the PCT Gazette.

TITLE

COUNTING MECHANISM, AND SPRAY DOSE INHALER WITH SAID
COUNTING MECHANISM

5

TECHNICAL FIELD

The invention relates to a counting mechanism for counting the number of
doses delivered from a container and comprising means for connection to
10 the container. The invention also concerns a spray dose inhaler into which a
spray container can be introduced and comprising a counting mechanism for
counting the number of doses delivered from the spray container.

BACKGROUND ART

15

It has become increasingly common for medicines to be administered by
being sprayed into the mouth or nose. For this purpose, spray dose inhalers
have been developed which deliver one dose of medication per spray.
However, a considerable problem with the spray dose inhalers which have
20 hitherto been made available is that they do not have means for indicating
how many doses remain in the spray container. This means that many spray
containers are discarded long before they are empty, and in many cases
even when they are only half empty. There is therefore a great need for a
counting mechanism in order to be able to monitor the spray consumption in
25 a spray dose inhaler.

However, it has proven very difficult to obtain a reliable counting mechanism
which does not adversely affect the function of the inhaler since spray
administration is a method which is very sensitive to external disturbances. A
30 counting mechanism for a spray dose inhaler must therefore have a structure
which does not cause variations in the size of the delivered doses, which

does not create spaces where the active substance can accumulate, and which does not in any other way interfere with the function of the inhaler.

No satisfactory solution to the above problems has as yet been put forward.

5

DISCLOSURE OF THE INVENTION

The present invention nevertheless makes available a counting mechanism which is of the type discussed in the introduction and which largely avoids
10 the problems mentioned above. An arrangement according to the invention is mainly characterized in that the counting mechanism comprises a cap, a counting wheel, and a control wheel, all of which have a substantially circular shape and are concentric in relation to each other, the cap having an outer surface and an inner surface, and a flange-like cap edge projecting
15 from the periphery of the inner surface, and comprising a gear ring which is arranged inside the flange-like cap edge on the inner surface of the cap, an indicator window in the form of a through-opening in the cap, two concentrically arranged inner flanges which project centrally from the inner surface of the cap and of which a first inner flange is arranged radially inside
20 a second inner flange and projects a distance beyond the second inner flange, and in that the first inner flange has a radially projecting locking tooth, and the counting wheel has an outer surface and an inner surface and is arranged directly next to the cap with the outer surface of the counting wheel directed towards the inner surface of the cap, the counting wheel
25 comprising a centrally arranged through-hole with a shape and size corresponding to the shape and size of the second inner flange of the cap, at least one stop tongue which projects from the periphery of the counting wheel and is arranged to engage in and cooperate with the gear ring arranged on the inner surface of the cap, and a gear ring arranged on the
30 inner surface of the counting wheel, near the periphery of the counting wheel, and a measurement scale arranged on the outer surface and placed

so that it is visible through the indicator window, and in that the control wheel has an outer surface and an inner surface and is arranged directly next to the counting wheel, with the outer surface of the control wheel directed towards the inner surface of the counting wheel, the control wheel comprising a centrally arranged through-hole with a shape and size corresponding to the shape and size of the first inner flange of the cap and having a recess arranged on the periphery of the hole, which recess has a shape which substantially corresponds to the shape of the locking tooth arranged on the cap and with a size which slightly exceeds the size of the locking tooth, so that a predetermined clearance exists between the locking tooth and the edges of the recess, at least one stop tongue which projects from the periphery of the control wheel and which is arranged to engage in and cooperate with the gear ring arranged on the inner surface of the counting wheel, and a rod-shaped pin which is arranged at right angles to the inner surface of the control wheel and is connected to the control wheel via a spring member, and in that the stop tongue of the control wheel is oriented in a tangential direction which is opposite to the direction of the gear ring and stop tongue of the counting wheel, and in that the direction of the teeth in the gear ring of the cap coincides with the tangential direction of the stop tongue of the control wheel, and furthermore in that the number of stop tongues and the number of teeth are identical for the counting wheel and for the control wheel.

Although not essential to the invention, it may be expedient, for production reasons and assembly reasons, that the first and second inner flanges of the cap, and the centrally arranged through-holes in the counting wheel and control wheel, are substantially circular with a radius corresponding to the radius of the first and second inner flange, respectively, of the cap.

It is also advantageous for the stop tongues on the counting wheel and control wheel to be arranged to spring in the radial direction, as a result of

which the stop tongues bear with a certain spring force against the teeth of the gear rings of the counting wheel and cap. Radial direction is understood as a radial direction in towards or out from a centre axis running through the counting mechanism.

5

The number of doses which the counting mechanism is able to count depends on the clearance between the locking tooth, arranged on the inside of the cap, and the corresponding recess in the control wheel, and also on the number of teeth in the gear rings of the counting wheel and cap. For counting mechanisms intended to count up to 130 doses, the clearance should be about 3° and the number of teeth should be 46. For counting mechanisms intended to count 130 to 240 doses, the clearance should be 1.5° and the number of teeth should be 82. The clearance is calculated by dividing 360° by the number of doses which the counting mechanism is intended to be able to count, after which a whole 1° is added to the result. The number of teeth must be evenly divisible by the number of stop tongues, plus one extra tooth.

A suitable spring member for connecting the rod-shaped pin to the control wheel, and for transferring forces acting on the rod-shaped pin to the control wheel, is a flat spring. The spring member can be a separately manufactured component, but it is advantageously made integral with the rod-shaped pin and the control wheel, for example by injection-moulding of plastic.

25 The invention also concerns a complete spray dose inhaler of the type discussed in the introduction. A spray dose inhaler according to the invention is characterized mainly in that the counting mechanism is arranged substantially on the outside of the inhaler and comprises a cap, a counting wheel, and a control wheel, all of which have a substantially circular shape and are concentric in relation to each other, the cap having an outer surface and an inner surface, and a flange-like cap edge projecting

from the periphery of the inner surface, and comprising a gear ring which is arranged inside the flange-like cap edge on the inner surface of the cap, an indicator window in the form of a through-opening in the cap, two concentrically arranged inner flanges which project centrally from the inner surface of the cap and of which a first inner flange is arranged radially inside a second inner flange and projects a distance beyond the second inner flange, and in that the first inner flange has a radially projecting locking tooth, and the counting wheel has an outer surface and an inner surface and is arranged directly next to the cap with the outer surface of the counting wheel directed towards the inner surface of the cap, the counting wheel comprising a centrally arranged through-hole with a shape and size corresponding to the shape and size of the second inner flange of the cap, at least one stop tongue which projects from the periphery of the counting wheel and is arranged to engage in and cooperate with the gear ring arranged on the inner surface of the cap, and a gear ring arranged on the inner surface of the counting wheel, near the periphery of the counting wheel, and a measurement scale arranged on the outer surface and placed so that it is visible through the indicator window, and in that the control wheel has an outer surface and an inner surface and is arranged directly next to the counting wheel, with the outer surface of the control wheel directed towards the inner surface of the counting wheel, the counting wheel comprising a centrally arranged through-hole with a shape and size corresponding to the shape and size of the second inner flange of the cap and having a recess arranged on the periphery of the hole, which recess has a shape which substantially corresponds to the shape of the locking tooth arranged on the cap and with a size which is slightly greater than the locking tooth, so that a predetermined clearance exists between the locking tooth and the edges of the recess, at least one stop tongue which projects from the periphery of the control wheel and which is arranged to engage in and cooperate with the gear ring arranged on the inner surface of the counting wheel, and a rod-shaped pin which is arranged at right angles to the inner

surface of the control wheel and is connected to the control wheel via a spring member, and in that the stop tongue of the control wheel is oriented in a tangential direction which is opposite to the direction of the gear ring and stop tongue of the counting wheel, and in that the direction of the teeth in the gear ring of the cap coincides with the tangential direction of the stop tongue of the control wheel, and furthermore in that the number of stop tongues and the number of teeth are identical for the counting wheel and for the control wheel, and in that the outside of the spray dose inhaler is provided with coupling members for connecting the counting mechanism to the spray dose inhaler, the coupling members comprising a through-hole through which the rod-shaped pin of the counting mechanism can be introduced, the hole being positioned so that the rod-shaped pin is in contact with the spray container and is acted upon and deflected and/or changes position when the spray container moves in the first part of the spray dose inhaler.

15 Since the invention allows the counting mechanism to be arranged almost entirely on the outside of the inhaler, with only the very small rod-shaped pin situated inside the inhaler, the counting mechanism by and large does not in any way affect the flow through the inhaler. This means that the doses delivered retain a constant size, and that the risk of active substance accumulating in the inhaler as a result of the action of the counting mechanism is practically nonexistent.

25 The dose scale arranged on the counting wheel is placed in an annular configuration on the outside of the counting wheel and is either ascending or descending, depending on whether the counting mechanism is to indicate how many doses have been administered or how many doses remain. The dose scale is preferably a numerical scale, with the dose number being indicated in steps of 1, 2, 5, 10, 25 doses or in other dose steps if deemed appropriate. Alternatively, or in addition to this, it is however possible to imagine using a colour scale, for example ranging from green through yellow

to red. For example, the last 10% of the doses can be indicated by red or another differing colour. As the counting wheel is turned round during use, new parts of the dose scale successively appear through the indicator window in the counting mechanism cap. The indicator window is preferably
5 provided with an arrow which points to the dose number in each position.

The counting mechanism can be provided with a built-in stop position. Such a counting mechanism is discarded when it has counted the predetermined number of doses for which it has been designed. It is also possible to
10 produce re-usable counting mechanisms without built-in stop devices. Such a stop device can be provided, for example, by arranging a pin on the inside of the cap, which pin runs in a groove in the counting wheel.

BRIEF DESCRIPTION OF THE FIGURES

15

The invention will be described in greater detail below with reference to the illustrative embodiments shown in the attached figures, where:

Figure 1 shows a spray dose inhaler with a counting mechanism according
20 to the invention;

Figures 2a and 2b show an outer casing for a counting mechanism according to the invention;

25 Figures 3a and 3b show a counting wheel for a counting mechanism according to the invention;

Figures 4a and 4b show a control wheel for a counting mechanism according to the invention;

30

Figure 5 shows an exploded view of a spray dose inhaler with associated components;

5 Figure 6 shows a spray dose inhaler with an attachment arrangement for a counting mechanism according to the invention;

Figure 7 shows a cross section through a spray dose inhaler and a counting mechanism according to the invention; and

10 Figure 8 shows an exploded view of a counting mechanism according to the invention.

DETAILED DESCRIPTION OF EMBODIMENTS

15 Figure 1 shows a spray dose inhaler 1 which is provided with a counting mechanism 2 arranged substantially on the outside of the inhaler. The spray dose inhaler 1 has an upper tubular part 3 into which a spray container 4 is introduced. The spray dose inhaler 1 also has a lower tubular mouthpiece part 5 which is angled in relation to the upper part 3 and which emerges via
20 an opening 6 from which the contents of the spray container 4 are delivered. When using the spray dose inhaler 1, the mouthpiece part 5 is placed in the user's mouth and the spray container 4 is pressed further down in the upper part 3 of the inhaler 1. A dose is thereby released and is sprayed into the user's oral cavity.

25

The counting mechanism 2 consists of three main components, namely a cap 7, a counting wheel 8, and a control wheel 9. Arranged on the outside is the substantially circular cap 7, the latter thus serving as an outer casing for the counting mechanism 2. The cap 7 is provided with an indicator window
30 10, and on the inside of the cap 7 there is a gear ring 11 in which the number of teeth 12 is adapted to the number of doses in the spray container.

Such a cap is shown in Figures 2a and 2b. Figure 2a shows the outside of the cap 7, i.e. the side directed away from the inhaler when the counting mechanism is fitted on an inhaler, and Figure 2b shows the inside of the cap, i.e. the side directed towards the inhaler when the counting mechanism 2 is fitted. The teeth 12 are inclined and slope in a first tangential direction. In Figure 2a the teeth 12 are shown with an inclination anti-clockwise in the figure. The cap 7 is additionally provided with a coupling arrangement comprising several parts and intended to cooperate with a corresponding coupling arrangement on the inhaler 1. The coupling arrangement on the inhaler 1 is shown in detail in Figure 6 and will be described in detail in the description of Figure 6. The coupling arrangement on the cap 7 comprises, on the one hand, a cap edge 13 projecting at right angles from the plane of the cap 7 and an almost rectangular pin 14 projecting from the cap edge 13, and, on the other hand, a centrally arranged cylindrical first inner flange 15. Moreover, the cylindrical inner flange 15 has a locking tooth 16 projecting radially from the outer surface of the inner flange 15.

Arranged concentrically to the outside of the cylindrical inner flange 15 there is an annular second inner flange 17 which has less height above the inner surface of the cap than does the cylindrical first inner flange 15, and which is intended to serve as coupling member between the cap 7 and the counting wheel 8. The cylindrical first inner flange 15 here fulfills the additional purpose of being a coupling member between the cap 7 and the control wheel 9.

Arranged inside of the cap 7, or outer casing, there is a counting wheel 8 of the type shown in Figures 3a and 3b. The counting wheel 8 has a substantially circular shape, with a central and circular through-hole 20. In the same way as in Figures 2a and 2b, the counting wheel 8 in Figure 3a is shown from the outside, which is the side directed outwards and away from the inhaler 1, and Figure 3b shows the inside, which is the side of the

counting wheel 8 directed inwards and towards the inhaler 1. As can be seen from Figure 3a, the outside of the counting wheel 8 is provided with a numerical scale 21 which is intended to continuously indicate the number of doses remaining in the spray container 4. In the illustrative embodiment shown, the doses are indicated in intervals of 5. In some cases it can of course be expedient to count the doses in another way, for example in individual doses or in intervals of two doses, ten doses, 25 doses, and so on, depending on how many doses in total are present in the spray container 4. The counting wheel 8 is either numbered in ascending sequence, so that the number of doses used is indicated, or in descending sequence, so that the number of doses remaining is indicated. The numerical scale 21 is visible through the indicator window 10 on the cap. As can be seen for example from Figure 2, the indicator window 10 can be provided with an indicator arrow 19 which points to the current number of doses. Moreover, the last doses, for example the last 10% of the doses, are marked in a different way, preferably with a different colour such as red.

As with the cap 7, a gear ring 22 is arranged on the inside of the counting wheel 8, about its periphery. The number of teeth 23 is adapted to the number of doses which are to be counted, and the teeth 23 are oriented in the opposite direction in relation to the teeth 12 on the cap 7, which means that the teeth 23 in Figure 3b slope clockwise. In addition, the counting wheel 8 is provided with three stop tongues 25 arranged symmetrically about the outer edge 24 of the counting wheel 8. The stop tongues 25 are designed in such a way that they have a certain spring capacity, upon radial loading, in towards or out from the centre of the counting wheel 8. As will be observed in Figures 3a and 3b, the stop tongues 25 have a free pin-shaped part which is directed along the periphery of the counting wheel 8 and which ends in a stop edge 26. In the example shown, the free parts of the stop tongues 25, as can be seen from Figure 3b, are directed clockwise about the

periphery of the counting wheel 8. The stop tongues 25 thus have the same direction as the teeth 23 of the counting wheel 8.

The third part of the counting mechanism 2 is the control wheel 9 shown in
5 Figures 4a and 4b. The control wheel 9 is also substantially circular in shape
and is provided with three resilient stop tongues 30 which are distributed
symmetrically about the periphery of the wheel 9 and have a free part which
springs radially and ends in a stop edge 31. However, the stop tongues 30 of
10 the control wheel 9 are directed in the opposite direction in relation to the
stop tongues 25 of the counting wheel 8. In addition, the control wheel 9 has
a rod-shaped pin 32 which is arranged at right angles to the inside of the
control wheel 9, which is the side of the control wheel 9 intended to be
directed towards the inhaler 1. The pin 32 is connected to the control wheel
15 9 via a flat spring member 33. A circular hole 34 is arranged centrally
through the control wheel 9 and has a recess 35 arranged on the periphery
of the hole 34, which recess 35 has a shape corresponding substantially to
the shape of the locking tooth 16 arranged on the cap 7. When the counting
mechanism 2 is assembled, the locking tooth 16 is in fact intended to be
20 introduced into the recess 35 of the control wheel 9, in the manner of a key
in a lock. As has previously been mentioned, it is intended that there should
be a certain clearance or play between the locking tooth 16 and the edges of
the recess 35, which clearance has a predetermined size and contributes to
defining the size of the counting steps which the counting mechanism 2
registers.

25

Figure 5 shows how the different parts are joined together to form a
complete inhaler 1 with counting mechanism 2 and spray container 4. The
spray container 4 is introduced into the upper tubular part 3 of the spray
dose inhaler 1, and the counting mechanism 2 is fitted on the outside of the
30 upper tubular part 3 of the spray dose inhaler 1, near the transition to the
mouthpiece part 5.

Figure 6 shows in detail the appearance of the coupling arrangement provided on the spray dose inhaler 1. The coupling arrangement comprises a circular outer flange 40, which projects from the surface of the inhaler 1 and which has an outer ring 41 and also an inner ring 42 which projects farther than the outer ring 41 and has an external radius corresponding to the internal radius of the projecting cap edge 13 on the cap 7 of the counting mechanism 2. A recess 43 is also provided in the outer ring 41 for cooperation with the substantially rectangular pin 14 arranged on the cap edge 13. Thus, the counting mechanism 2 is fitted with the cap 7 tight over the outer ring 41 of the coupling arrangement of the spray dose inhaler 1, and with the pin 14 on the cap edge 13 inserted into the recess 43 on the outer ring 41 of the coupling arrangement.

The spray dose inhaler 1 also has a centrally arranged annular inner flange 45 whose internal diameter corresponds to the external diameter of the cylindrical first inner flange 15 on the counting mechanism cap 7. The annular inner flange 45 arranged on the spray dose inhaler 1 has a gap 46 through which the locking tooth 16 arranged on the cylindrical first inner flange 15 of the counting mechanism cap 7 can project.

The spray dose inhaler 1 finally has a through-hole 47 arranged between the inner flange 45 and outer flange 40 of the coupling arrangement. The through-hole 47 is designed such that the rod-shaped pin 32 arranged on the control wheel 9 can be introduced through the wall of the spray dose inhaler 1 and into the inside of the spray dose inhaler. The hole has a diameter which is substantially the same as the diameter of the rod-shaped pin 32. Although the hole 47 and the rod-shaped pin in the illustrative embodiment shown have a circular cross section, it is possible, within the scope of the invention, to use holes/pins with edged or oval cross sections.

Figure 7 shows how the spray dose inhaler 1 looks when the counting mechanism 2 has been fitted and the spray container 4 has been introduced into the upper tubular part 3 of the inhaler 1. The rod-shaped pin 32 of the control wheel 9 is introduced through the hole 47 in the inhaler wall, and the hole 47 is positioned in such a way that the pin 32 is thereby in contact with the spray container 4 in such a way that, when the spray container 4 is pressed into the inhaler 1, the spray container 4 presses the pin 32 in its direction of movement. In so doing, that part of the pin 32 located inside the inhaler 1 is deflected and/or angled in the downward direction in Figure 7. This means that the flat spring 33 connecting the pin 32 to the control wheel 9 acts on the control wheel 9 in a direction opposite to the direction of movement of the pin 32 and spray container 4. The cooperation between the various parts of the counting mechanism 2 will be readily understood by referring to Figure 8, from which figure it clearly emerges how the directions of movement of the different gear rings 11, 22 and stop tongues 25, 30 relate to each other. When the rod-shaped pin 32 is pressed downwards in the inhaler (as is shown in Figure 7), the control wheel 9 is therefore rotated clockwise, viewed axially in the direction from within the inhaler 1. However, the rotation can only occur as far as is permitted by the clearance between the locking tooth 16 of the cap 7 and the corresponding recess 35 on the control wheel 9. By means of this rotation, one of the three stop tongues 30 arranged on the control wheel is additionally moved to a new position between two teeth 23 of the counting wheel 8. When the load exerted by the spray container 4 on the rod-shaped pin 32 ceases, the pin 32 returns to the substantially horizontal position shown in Figure 7 and the control wheel 9 springs back to its initial position, which corresponds to the control wheel 9 rotating anti-clockwise as far as is permitted by the clearance between the locking tooth 16 of the cap 7 and the corresponding recess 35 on the control wheel 9. During this movement, one of the stop tongues 30 of the control wheel 9 rests with its outer stop edge 31 against a tooth 23 of the counting wheel 8. In this way, the return movement is transmitted to the counting

wheel 8 which thus rotates anti-clockwise and counts one step, which can be observed in the indicator window 10 of the cap 7. At the same time, one of the locking tongues 25 on the periphery of the counting wheel 8 is moved to a stop position between two teeth 12 of the gear ring 11 of the cap 7, which
5 means that a subsequent clockwise rotation of the control wheel 9 does not act on the counting wheel 8, since clockwise rotation of the counting wheel 8 is prevented by the fact that the outer stop edge 26 of one of the locking tongues 25 of the counting wheel bears against one of the teeth 12 of the cap 7 and prevents clockwise rotation.

10

In the examples shown in the figures, the position of the rod-shaped pin 32 is such that the control wheel 9 rotates clockwise when the spray container 4 is pressed into the inhaler 1 upon administration of a spray dose. However, this is not a necessary condition for the invention. It is therefore possible to
15 envisage the pin 32 being positioned instead on the diametrically opposite side of the control wheel 9. Such positioning would mean that the control wheel 9 first rotated anti-clockwise when the spray container 4 was pressed into the inhaler 1. Of course, such an arrangement would additionally mean that the direction of rotation, like the direction of the different gear rings 11,
20 22 and stop tongues 25, 30, would be opposite to those directions described above.

A counting mechanism 2 according to the invention can advantageously be produced by injection moulding of plastic. It is of course also possible to
25 envisage combinations of plastic components and other materials, or counting mechanisms made completely or partially of metal.

Although the counting mechanism has been described in association with a spray dose inhaler, it is of course possible to use the counting mechanism in
30 all contexts where a substance is to be sprayed in doses. For example, the counting mechanism can be used for spraying cosmetics or the like. In

addition, spray dose inhalers in which the dosed substance is administered into the nose are of course also intended to come within the scope of the invention.

CLAIMS

1. Counting mechanism (2) for counting the number of doses delivered from a container (4) and comprising means for connection to the container
5 (4), characterized in that the counting mechanism (2) comprises a cap (7), a counting wheel (8), and a control wheel (9), all of which have a substantially circular shape and are concentric in relation to each other, the cap (7) having an outer surface and an inner surface, and a flange-like cap edge (13) projecting from the periphery of the inner surface, and comprising a
10 gear ring (11) which is arranged inside the flange-like cap edge (13) on the inner surface of the cap (7), an indicator window (10) in the form of a through- opening in the cap (7), two concentrically arranged inner flanges (15, 17) which project centrally from the inner surface of the cap (7) and of which a first inner flange (15) is arranged radially inside a second inner
15 flange (17) and projects a distance beyond the second inner flange (17), and in that the first inner flange (15) has a radially projecting locking tooth (16), and the counting wheel (8) has an outer surface and an inner surface and is arranged directly next to the cap (7) with the outer surface of the counting wheel (8) directed towards the inner surface of the cap (7), the counting
20 wheel (8) comprising a centrally arranged through-hole (20) with a shape and size corresponding to the shape and size of the second inner flange (17) of the cap (7), at least one stop tongue (25) which projects from the periphery of the counting wheel and is arranged to engage in and cooperate with the gear ring (11) arranged on the inner surface of the cap (7), and a
25 gear ring (22) arranged on the inner surface of the counting wheel (8), near the periphery of the counting wheel (8), and a measurement scale (21) arranged on the outer surface and placed so that it is visible through the indicator window (10), and in that the control wheel (9) has an outer surface and an inner surface and is arranged directly next to the counting wheel (8),
30 with the outer surface of the control wheel (9) directed towards the inner surface of the counting wheel (8), the control wheel (9) comprising a

centrally arranged through-hole (34) with a shape and size corresponding to the shape and size of the first inner flange (15) of the cap (7) and having a recess (35) arranged on the periphery of the hole (34), which recess (35) has a shape which substantially corresponds to the shape of the locking
5 tooth (16) arranged on the cap (7) and with a size which slightly exceeds the size of the locking tooth (16), so that a predetermined clearance exists between the locking tooth (16) and the edges of the recess (35), at least one stop tongue (30) which projects from the periphery of the control wheel (9) and which is arranged to engage in and cooperate with the gear ring (22)
10 arranged on the inner surface of the counting wheel (8), and a rod-shaped pin (32) which is arranged at right angles to the inner surface of the control wheel (9) and is connected to the control wheel (9) via a spring member (33), and in that the stop tongue (30) of the control wheel (9) is oriented in a tangential direction which is opposite to the direction of the gear ring (22)
15 and stop tongue (25) of the counting wheel (8), and in that the direction of the teeth (12) in the gear ring (11) of the cap (7) coincides with the tangential direction of the stop tongue (30) of the control wheel (9), and furthermore in that the number of stop tongues (25, 30) and the number of teeth (12, 23) are identical for the counting wheel (8) and for the control wheel (9).

20

2. Counting mechanism according to Claim 1, characterized in that the number of stop tongues (25, 30) on the periphery of the counting wheel (8) and of the control wheel (9) is a prime number, and in that the stop tongues (25, 30) are symmetrically distributed about the periphery of the respective
25 wheel (8, 9).

3. Counting mechanism according to Claim 1 or 2, characterized in that the first and second inner flange (15, 17) of the cap (7), and the centrally arranged through-holes (20, 34) in the counting wheel (8) and the control
30 wheel (9), are substantially circular with a radius corresponding with the

radius of the first and second inner flange (15, 17), respectively, of the cap (7).

4. Counting mechanism according to Claim 1, 2 or 3, characterized in
5 that the stop tongues (25, 30) on the counting wheel (8) and the control wheel (9) are arranged to spring in the radial direction.

5. Counting mechanism according to any of Claims 1 to 4, characterized
10 in that the number of teeth (12, 23) on the counting wheel (8) and the control wheel (9) is 46, and in that the number of stop tongues (25, 30) on the counting wheel (8) and the control wheel (9) is 3, and in that the clearance between the locking tooth (16) and the recess (35) is approximately 3°.

6. Counting mechanism according to Claim 1, characterized in that the
15 spring member (33) is a flat spring.

7. Spray dose inhaler (1) with an inside and an outside, comprising a
first tubular part (3) into which a spray container (4) can be introduced, a
second tubular mouthpiece part (5) which is angled in relation to the first part
20 (3) and which emerges into an opening (6) from which the contents of the spray container (4) can be delivered, and comprising a counting mechanism (2), characterized in that the counting mechanism (2) is arranged substantially on the outside of the inhaler (1) and comprises a cap (7), a counting wheel (8), and a control wheel (9), all of which have a substantially
25 circular shape and are concentric in relation to each other, the cap (7) having an outer surface and an inner surface, and a flange-like cap edge (13) projecting from the periphery of the inner surface, and comprising a gear ring (11) which is arranged inside the flange-like cap edge (13) on the inner surface of the cap (7), an indicator window (10) in the form of a
30 through-opening in the cap (7), two concentrically arranged inner flanges (15, 17) which project centrally from the inner surface of the cap (7) and of

which a first inner flange (15) is arranged radially inside a second inner flange (17) and projects a distance beyond the second inner flange (17), and in that the first inner flange (15) has a radially projecting locking tooth (16), and the counting wheel (8) has an outer surface and an inner surface and is arranged directly next to the cap (7) with the outer surface of the counting wheel (8) directed towards the inner surface of the cap (7), the counting wheel (8) comprising a centrally arranged through-hole (20) with a shape and size corresponding to the shape and size of the second inner flange (17) of the cap (7), at least one stop tongue (25) which projects from the periphery of the counting wheel and is arranged to engage in and cooperate with the gear ring (11) arranged on the inner surface of the cap (7), and a gear ring (22) arranged on the inner surface of the counting wheel (8), near the periphery of the counting wheel (8), and a measurement scale (21) arranged on the outer surface and placed so that it is visible through the indicator window (10), and in that the control wheel (9) has an outer surface and an inner surface and is arranged directly next to the counting wheel (8), with the outer surface of the control wheel (9) directed towards the inner surface of the counting wheel (8), the control wheel (9) comprising a centrally arranged through-hole (34) with a shape and size corresponding to the shape and size of the first inner flange (15) of the cap (7) and having a recess (35) arranged on the periphery of the hole (34), which recess (35) has a shape which substantially corresponds to the shape of the locking tooth (16) arranged on the cap (7) and with a size which slightly exceeds the size of the locking tooth (16), so that a predetermined clearance exists between the locking tooth (16) and the edges of the recess (35), at least one stop tongue (30) which projects from the periphery of the control wheel (9) and which is arranged to engage in and cooperate with the gear ring (22) arranged on the inner surface of the counting wheel (8), and a rod-shaped pin (32) which is arranged at right angles to the inner surface of the control wheel (9) and is connected to the control wheel (9) via a spring member (33), and in that the stop tongue (30) of the control wheel (9) is oriented in a

tangential direction which is opposite to the direction of the gear ring (22) and stop tongue (25) of the counting wheel (8), and in that the direction of the teeth (12) in the gear ring (11) of the cap (7) coincides with the tangential direction of the stop tongue (30) of the control wheel (9), and furthermore in
5 that the number of stop tongues (25, 30) and the number of teeth (12, 23) are identical for the counting wheel (8) and for the control wheel (9), and in that the outside of the spray dose inhaler (1) is provided with coupling members (40, 43, 45, 47) for connecting the counting mechanism (2) to the spray dose inhaler (1), the coupling members comprising a through-hole (47)
10 through which the rod-shaped pin (32) of the counting mechanism (2) can be introduced, the hole (47) being positioned so that the rod-shaped pin (32) is in contact with the spray container and is acted upon and deflected and/or changes position when the spray container (4) moves in the first part (3) of the spray dose inhaler (1).

1/7

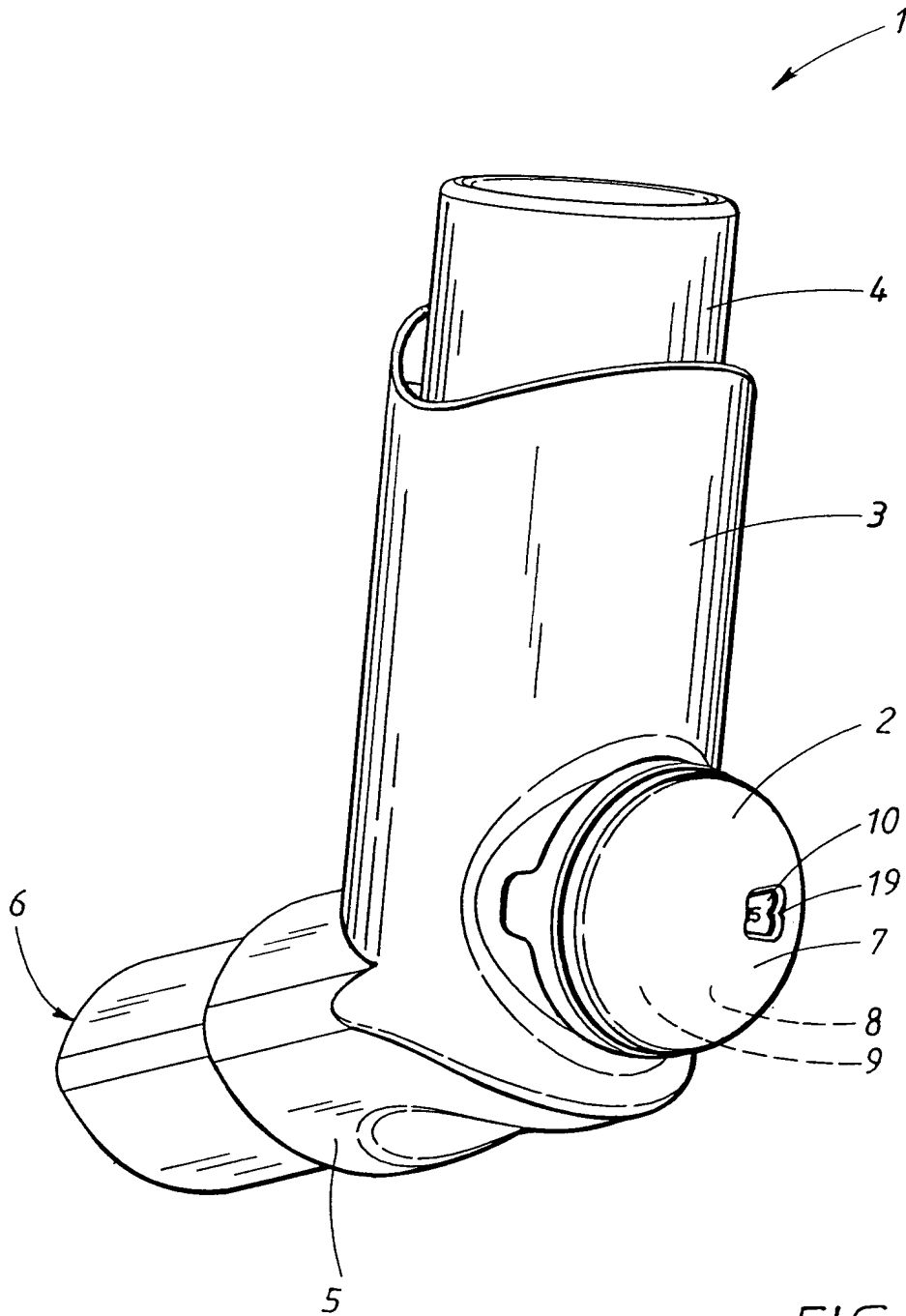


FIG. 1

2/7

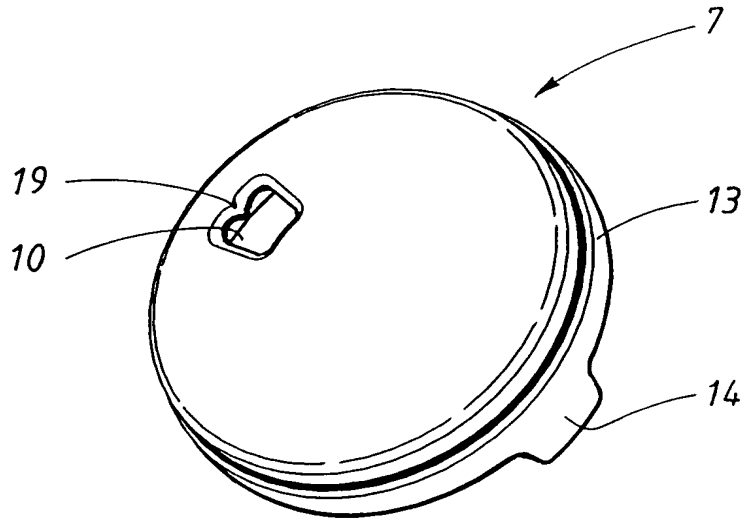


FIG. 2a

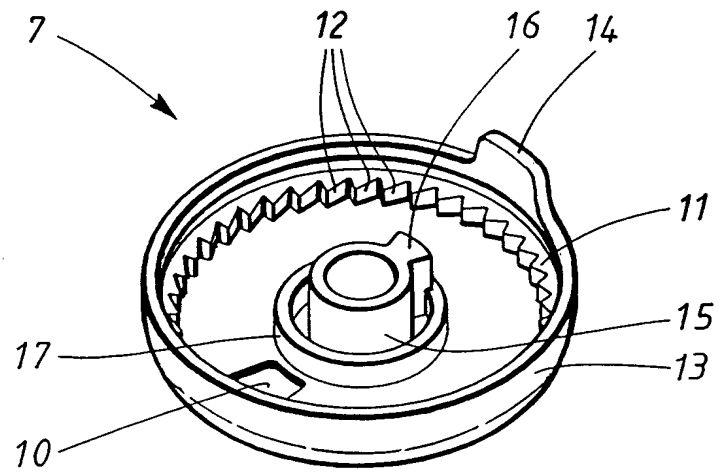


FIG. 2b

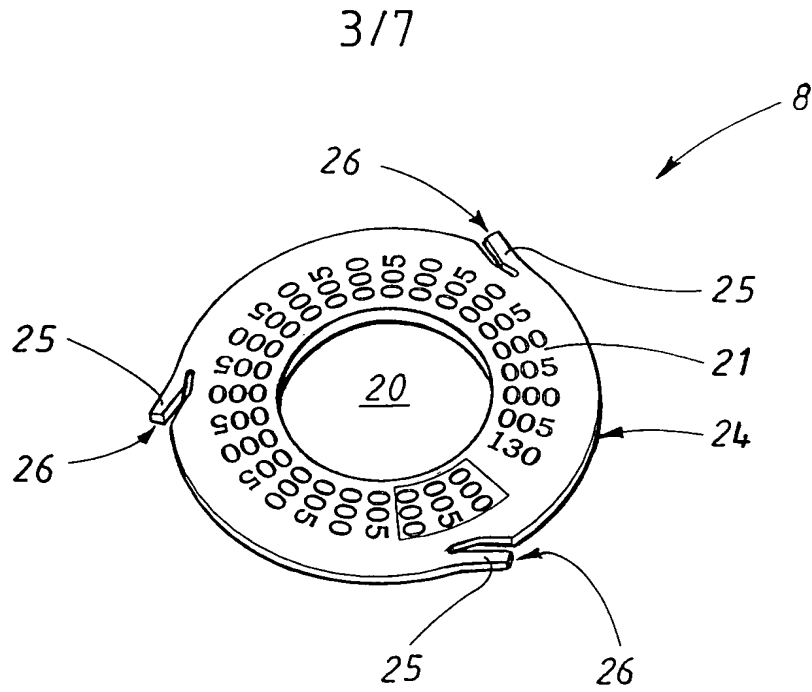


FIG. 3a

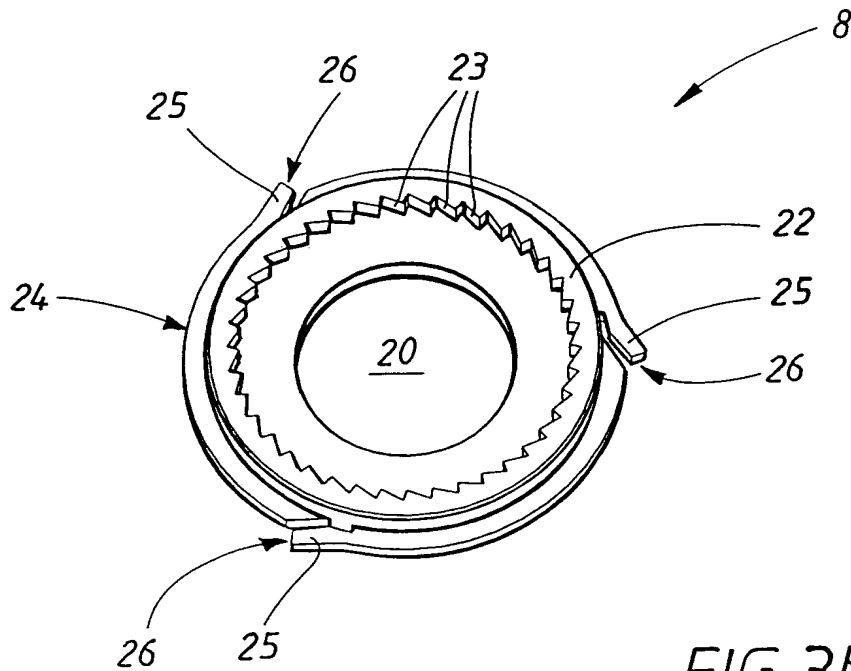


FIG. 3b

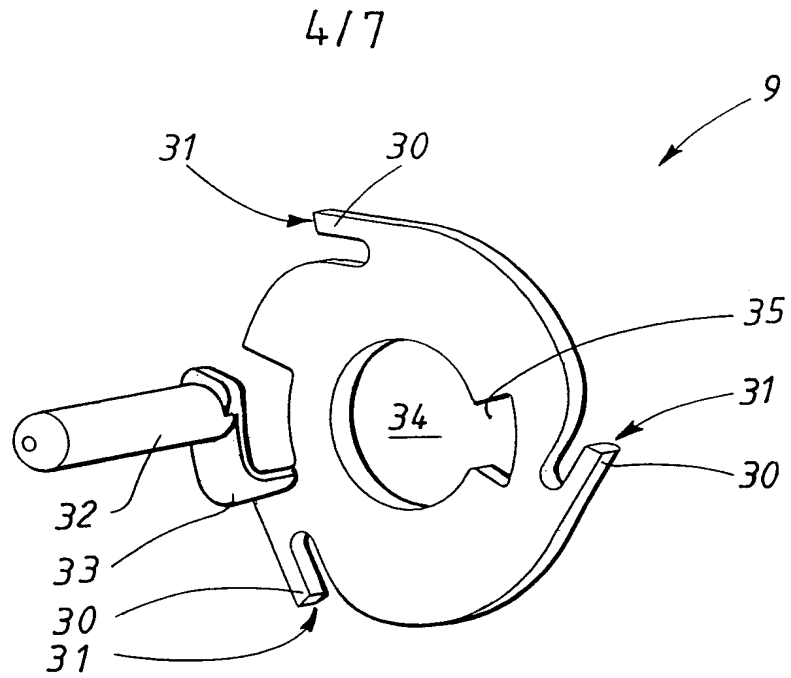


FIG. 4a

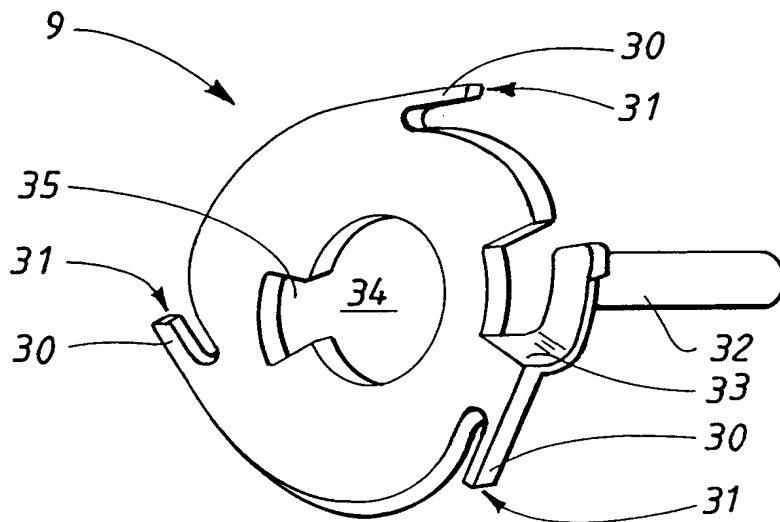


FIG. 4b

5/7

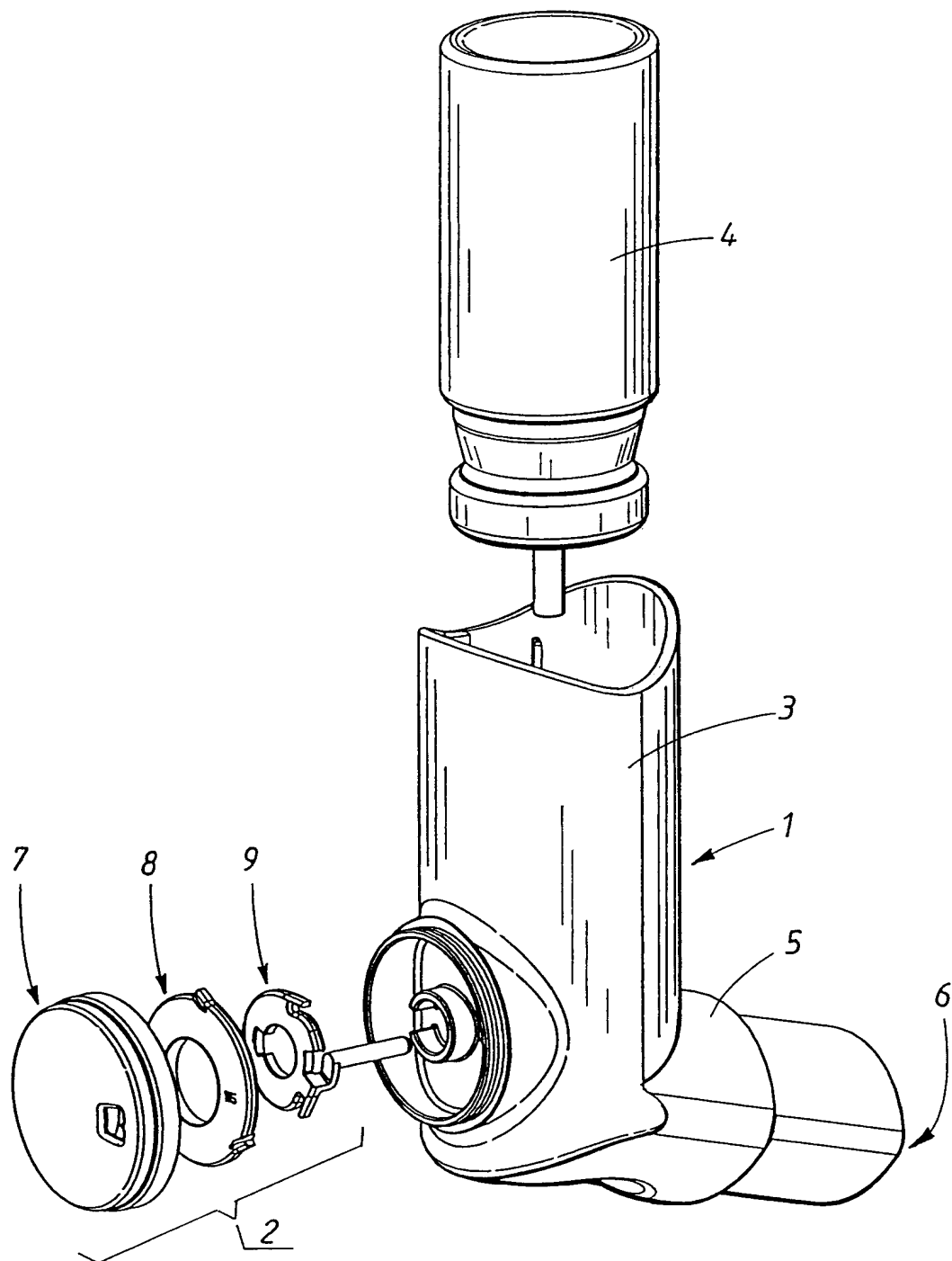


FIG. 5

6/7

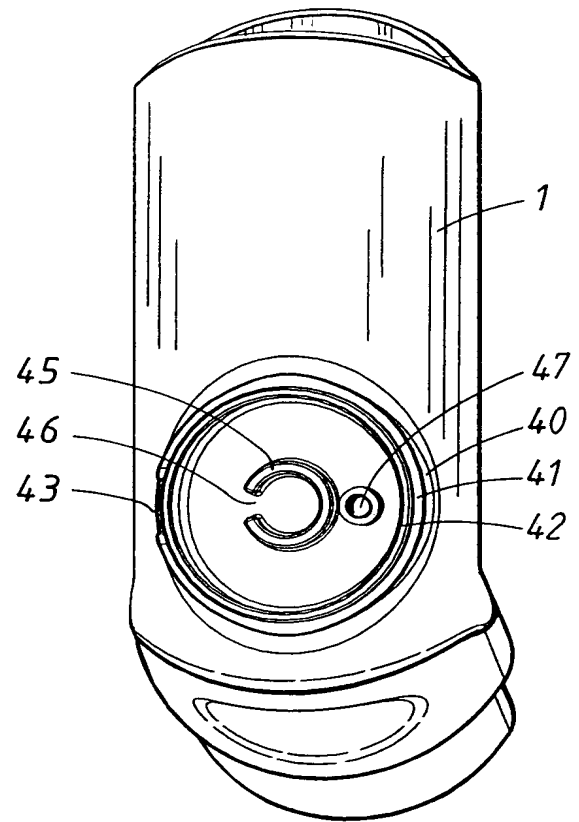


FIG. 6

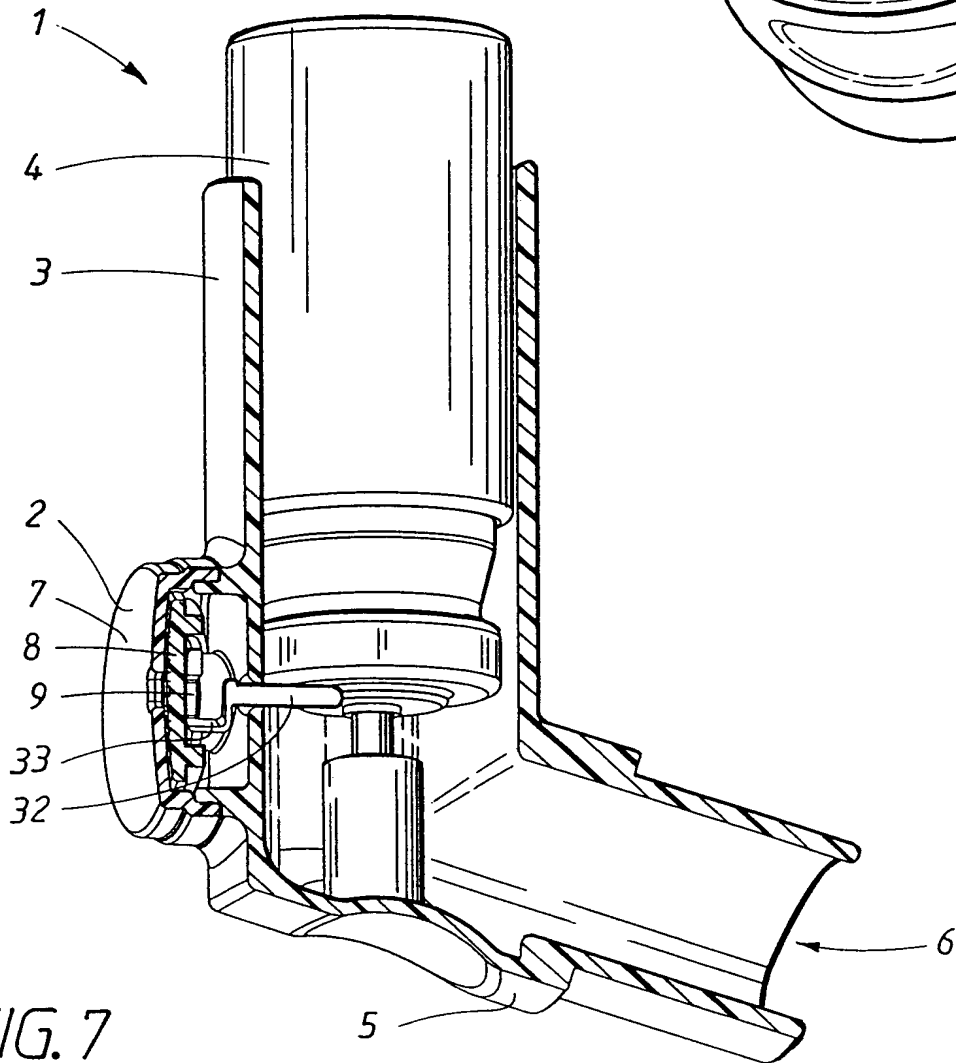


FIG. 7

INTERNATIONAL SEARCH REPORT

International application No.

PCT/SE 00/02319

A. CLASSIFICATION OF SUBJECT MATTER

IPC7: A61M 11/00, A61M 15/00, G06M 1/00

According to International Patent Classification (IPC) or to both national classification and IPC

B. FIELDS SEARCHED

Minimum documentation searched (classification system followed by classification symbols)

IPC7: A61M, G06M

Documentation searched other than minimum documentation to the extent that such documents are included in the fields searched

SE,DK,FI,NO classes as above

Electronic data base consulted during the international search (name of data base and, where practicable, search terms used)

WPI, EPODOC

C. DOCUMENTS CONSIDERED TO BE RELEVANT

Category*	Citation of document, with indication, where appropriate, of the relevant passages	Relevant to claim No.
A	DE 19549033 C1 (BOEHRINGER INGELHEIM INTERNATIONAL GMBH), 28 May 1998 (28.05.98), figure 1, claims 1-18 --	1-7
A	WO 8602275 A1 (AKTIEBOLAGET DRACO), 24 April 1986 (24.04.86), figures 1-7, claims 1-8 -- -----	1-7

 Further documents are listed in the continuation of Box C. See patent family annex.

* Special categories of cited documents:

"A" document defining the general state of the art which is not considered to be of particular relevance

"E" earlier application or patent but published on or after the international filing date

"L" document which may throw doubts on priority claim(s) or which is cited to establish the publication date of another citation or other special reason (as specified)

"O" document referring to an oral disclosure, use, exhibition or other means

"P" document published prior to the international filing date but later than the priority date claimed

"T" later document published after the international filing date or priority date and not in conflict with the application but cited to understand the principle or theory underlying the invention

"X" document of particular relevance: the claimed invention cannot be considered novel or cannot be considered to involve an inventive step when the document is taken alone

"Y" document of particular relevance: the claimed invention cannot be considered to involve an inventive step when the document is combined with one or more other such documents, such combination being obvious to a person skilled in the art

"&" document member of the same patent family

Date of the actual completion of the international search

23 January 2001

Date of mailing of the international search report

14-02-2001

Name and mailing address of the ISA/

Swedish Patent Office

Box 5055, S-102 42 STOCKHOLM

Facsimile No. +46 8 666 02 86

Authorized officer

Agneta Änggård/js

Telephone No. +46 8 782 25 00

INTERNATIONAL SEARCH REPORT

Information on patent family members

International application No.

PCT/SE 00/02319

Patent document cited in search report			Publication date	Patent family member(s)			Publication date
DE	19549033	C1	28/05/98	AU	1303597	A	28/07/97
				BG	102540	A	30/12/98
				BR	9612394	A	13/07/99
				CA	2238760	A	10/07/97
				CZ	9802049	A	11/11/98
				EP	0870178	A	14/10/98
				HR	960617	A,B	31/10/97
				HU	9903725	A	28/03/00
				IL	124573	D	00/00/00
				NO	982992	A	26/06/98
				PL	327571	A	21/12/98
				SK	89098	A	04/11/98
				US	6149054	A	21/11/00
				WO	9724586	A	10/07/97

WO	8602275	A1	24/04/86	AU	4969885	A	02/05/86
				DE	8590143	U	02/04/87
				DK	269086	A	09/06/86
				DK	481884	D	00/00/00
				EP	0197113	A	15/10/86
				ES	547668	A	01/12/86
				ES	8701660	A	01/03/87
				FI	862440	A	06/06/86
				JP	62500361	T	19/02/87
				NO	862098	A	27/05/86
				PT	81272	A,B	01/11/85
				ZA	8507761	A	28/05/86

DERWENT-ACC-NO: 2001-367629**DERWENT-WEEK:** 200560*COPYRIGHT 2010 DERWENT INFORMATION LTD***TITLE:** Counting mechanism for spray dose inhaler, comprises cap with gear ring and locking teeth to engage with stop tongues of counting wheel and recess of control wheel, respectively**INVENTOR:** HOERLIN E**PATENT-ASSIGNEE:** HOERLINS INGENJOERSBYRA AB ERNST
[HOERN]**PRIORITY-DATA:** 1999SE-004278 (November 26, 1999)**PATENT-FAMILY:**

PUB-NO	PUB-DATE	LANGUAGE
WO 0137909 A1	May 31, 2001	EN
SE 9904278 A	May 27, 2001	SV
AU 200115672 A	June 4, 2001	EN
SE 515858 C2	October 22, 2001	SV
EP 1237603 A1	September 11, 2002	EN
EP 1237603 B1	September 1, 2004	EN
DE 60013480 E	October 7, 2004	DE
ES 2228631 T3	April 16, 2005	ES
DE 60013480 T2	September 15, 2005	DE

DESIGNATED-STATES : AE AG AL AM AT AU AZ BA BB BG BR BY
 BZ CA CH CN CR CU CZ DE DK DM DZ EE
 ES FI GB GD GE GH GM HR HU ID IL IN
 IS JP KE KG KP KR KZ LC LK LR LS LT
 LU LV MA MD MG MK MN MW MX MZ NO NZ
 PL PT RO RU SD SE SG SI SK SL T J
 TM TR TT TZ UA UG US UZ VN YU ZA ZW
 AT BE CH CY DE DK EA ES FI FR GB GH
 GM GR IE IT KE LS LU MC MW MZ NL OA
 PT SD SE SL SZ TR TZ UG ZW AL AT BE
 CH CY DE DK ES FI FR GB GR IE IT LI
 LT LU LV MC MK NL PT RO SE SI TR AL
 AT BE CH CY DE DK ES FI FR GB GR IE
 I T LI LT LU LV MC MK NL PT RO SE
 SI TR

APPLICATION-DATA :

PUB-NO	APPL- DESCRIPTOR	APPL-NO	APPL-DATE
WO2001037909A1	N/A	2000WO- SE02319	November 24, 2000
SE 9904278A	N/A	1999SE- 004278	November 26, 1999
SE 515858C2	N/A	1999SE- 004278	November 26, 1999
DE 60013480E	N/A	2000DE- 613480	November 24, 2000
DE 60013480T2	N/A	2000DE- 613480	November 24, 2000
EP 1237603A1	N/A	2000EP- 978188	November 24, 2000
EP 1237603B1	N/A	2000EP- 978188	November 24, 2000
EP 1237603A1	N/A	2000WO- SE02319	November 24, 2000
EP 1237603B1	N/A	2000WO- SE02319	November 24, 2000

DE 60013480E	N/A	2000WO- SE02319	November 24, 2000
DE 60013480T2	N/A	2000WO- SE02319	November 24, 2000
AU 200115672A	Based on	2001AU- 015672	November 24, 2000

INT-CL-CURRENT:

TYPE	IPC DATE
CIPS	A61M15/00 20060101
CIPS	G06M1/08 20060101

ABSTRACTED-PUB-NO: WO 0137909 A1**BASIC-ABSTRACT:**

NOVELTY - A cap (7) has a gear ring and an inner flange with projecting locking teeth. A counting wheel (8) has a gear ring and stop tongues which engage with the gear ring of the cap. A control wheel (9) has recess and stop tongues to engage with locking teeth of the cap and gear ring of counting wheel, respectively.

DESCRIPTION - The cap, counting wheel and control wheel of circular shape are arranged by a pin. The cap has an indicator window (10) for displaying counting wheel measurement scale indication. The stop tongues on the counting wheel and the control wheel are arranged to a flat spring in the radial direction. The number of gear teeth and stop tongues of counting wheel and control wheel are 46 and 3, respectively. The clearance between the locking teeth and the recess is approximately 3degrees.

An INDEPENDENT CLAIM is also included for spray dose

inhaler with counting mechanism.

USE - For spray dose inhaler.

ADVANTAGE - The counting mechanism indicates the number of doses remaining in the spray container or how many doses have been administered, as the cap has locking teeth to engage with stop tongues of counting wheel and recess of control wheel, respectively. Avoids discarding spray dose inhaler before empty.

DESCRIPTION OF DRAWING(S) - The figure shows spray dose inhaler with counting mechanism.

Cap (7)

Counting wheel (8)

Control wheel (9)

Indicator window (10)

CHOSEN-DRAWING: Dwg.1/8

TITLE-TERMS: COUNT MECHANISM SPRAY DOSE INHALE
COMPRISE CAP GEAR RING LOCK TOOTH
ENGAGE STOP TONGUE WHEEL RECESS
CONTROL RESPECTIVE

DERWENT-CLASS: B07 P34 T05

CPI-CODES: B12-M01B;

EPI-CODES: T05-B;

CHEMICAL-CODES: Chemical Indexing M6 *01*
Fragmentation Code R012 R252 R440 R501
R538

SECONDARY-ACC-NO:

CPI Secondary Accession Numbers: 2001-112796

Non-CPI Secondary Accession Numbers: 2001-268215